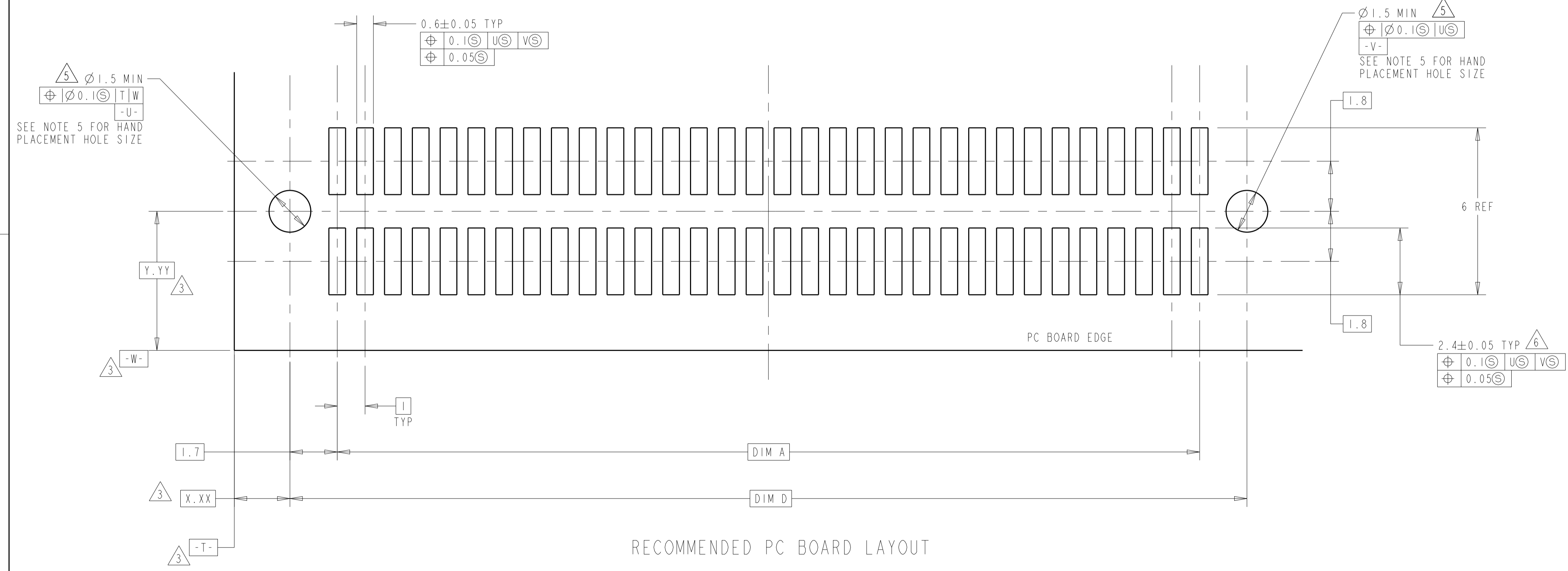
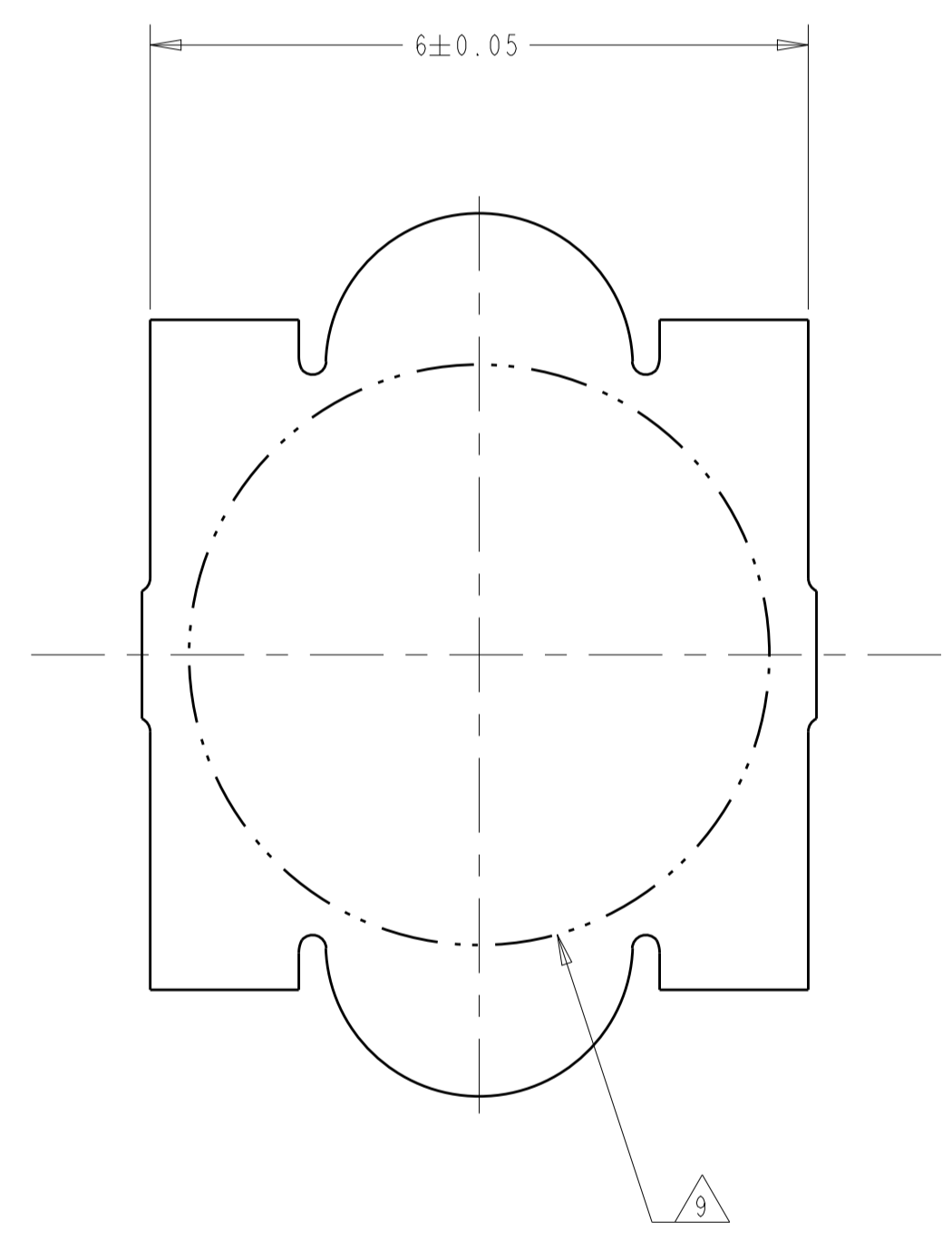
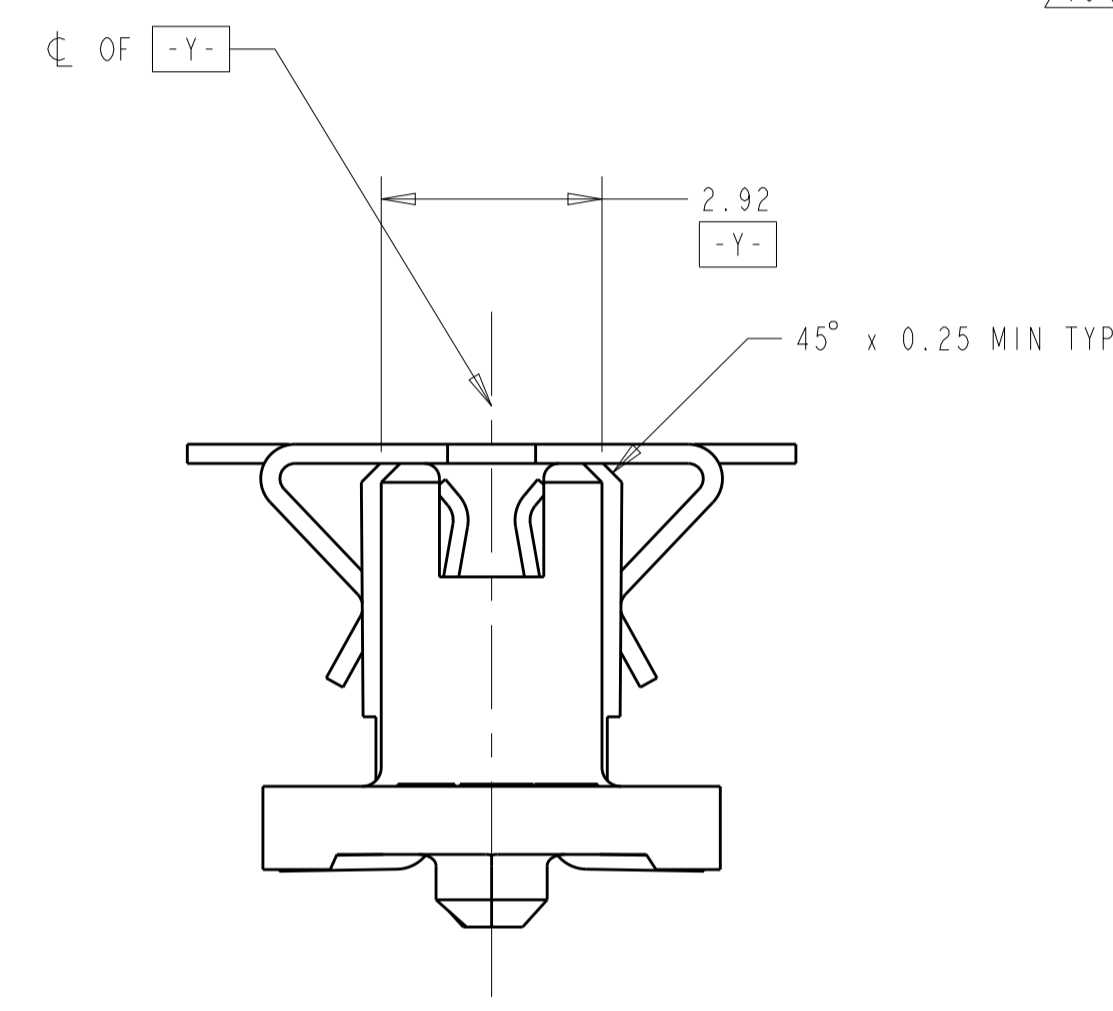
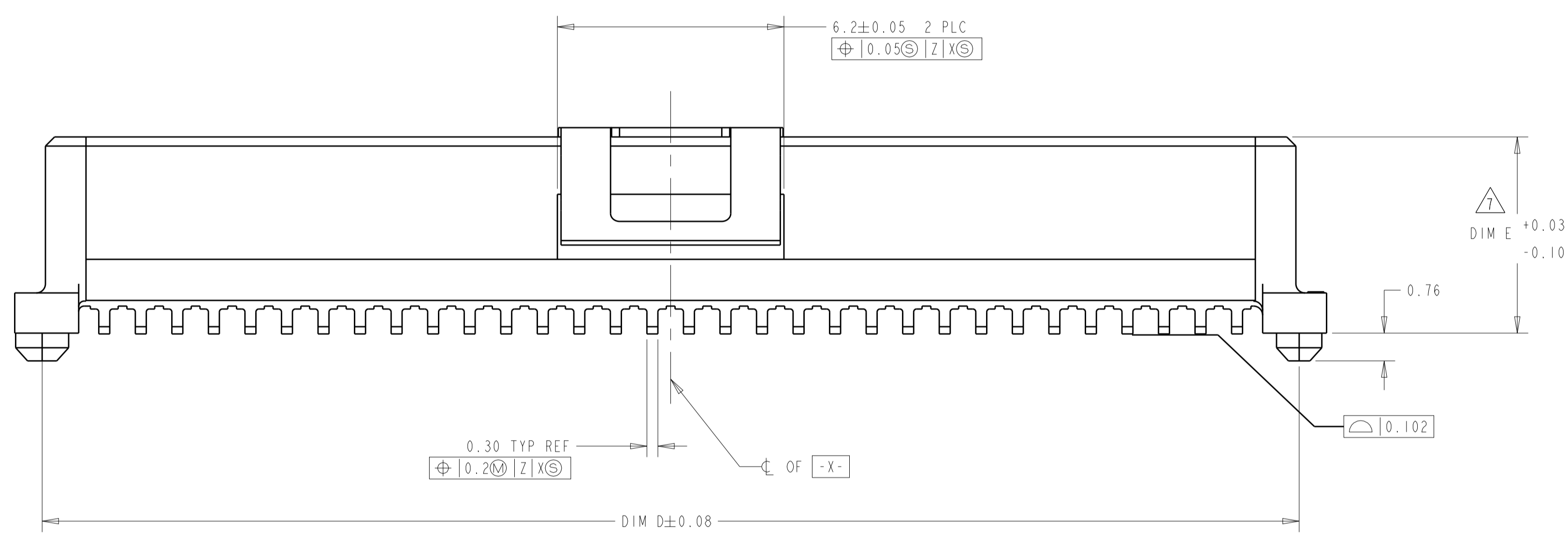
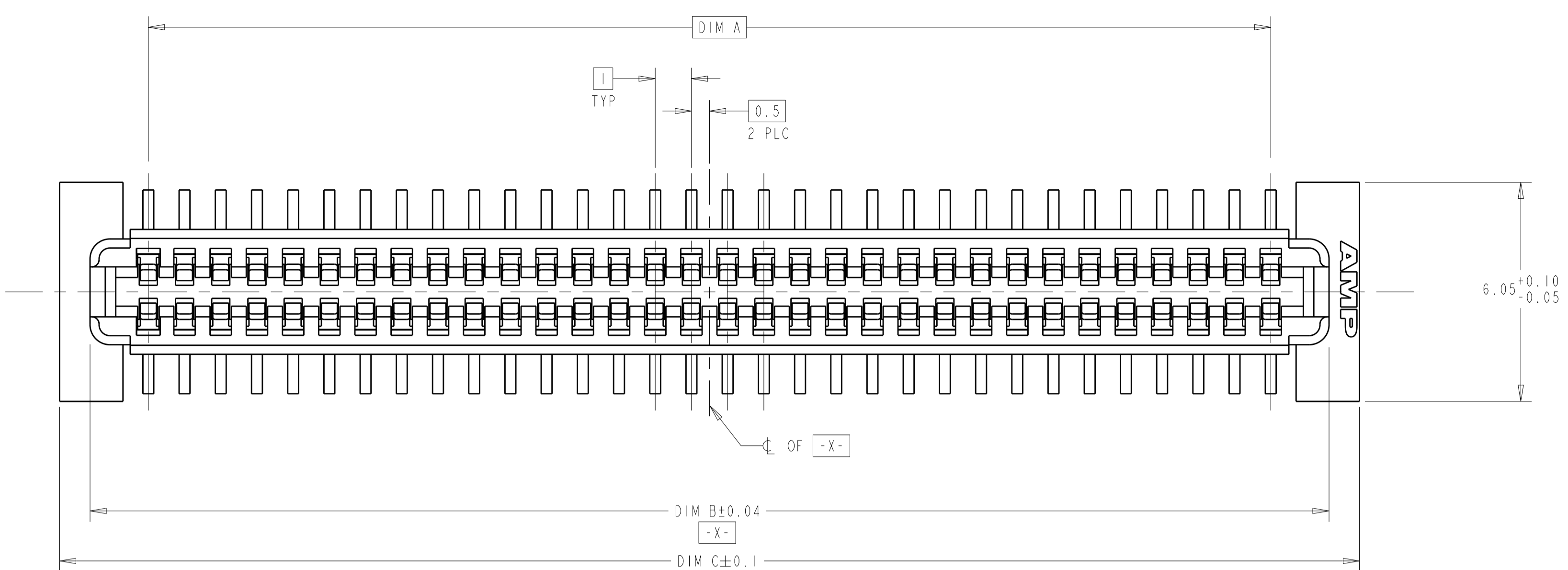


REVISIONS				
P.	LTN.	DESCRIPTION	DATE	APVD.
B		REV PER ECR-14-016951	11FEB2015	J. T. W. H.



- 1. HOUSING MATERIAL: POLYPHTHALAMIDE, COLOR: BLACK. CONTACT MATERIAL: PHOSPHOR BRONZE.
- 2. CONTACT FINISH: 0.002 MINIMUM BRIGHT TIN-LEAD (93-7) ON SOLDER AREA. 0.00127 MINIMUM GOLD ON MATING AREA. BOTH OVER 0.00127 MINIMUM NICKEL ON ENTIRE CONTACT.
- 3. DATUM LOCATIONS AND BASIC DIMENSIONS TO BE ESTABLISHED BY THE CUSTOMER. CONSULT AMP ENGINEERING WHEN PLACING MULTIPLE CONNECTORS ON A PC BOARD.
- 4. PACKAGED IN TAPE ON REEL PER EIA-481.
- 5. 1.4±0.05 DIAMETER HOLE WHEN PLACING BY HAND.
- 6. SHORTER SOLDER LANDS MAY BE USED PER EIA 700AAAB, HOWEVER 2.4 LENGTH ASSURES OPTIMUM SOLDER FILLET REGARDLESS OF MANUFACTURER OF CONNECTOR.
- 7. REFERRED TO AS DIM H IN EIA 700AAAB SPECIFICATION.
- 8. VACUUM COVER NOT SHOWN IN SOME VIEWS FOR CLARITY.
- 9. 5.5 MIN DIAMETER TARGET AREA FOR VACUUM PICK-UP.
- 10. SEE CATALOG FOR OTHER MATING CONNECTOR OPTIONS.

FINISH	DIM E	DIM D	DIM C	DIM B	DIM A	MATING CONNECTORS	STACK HEIGHTS	POS	TE PART NUMBER
2	10.37	34.4	35.9	34.22	31	1-146888-1	15	64	2007042-4
2	10.37	34.4	35.9	34.22	31	1-146898-1	14	64	2007042-4
2	8.37	34.4	35.9	34.22	31	1-146888-1	13	64	2007042-3
2	7.37	34.4	35.9	34.22	31	1-146888-1	12	64	2007042-2
2	7.37	34.4	35.9	34.22	31	1-146898-1	11	64	2007042-2
2	5.37	34.4	35.9	34.22	31	1-146888-1	10	64	2007042-1
2	5.37	34.4	35.9	34.22	31	1-146898-1	9	64	2007042-1
2	5.37	34.4	35.9	34.22	31	1-146897-1	8	64	2007042-1

THIS DRAWING IS A CONTROLLED DOCUMENT.

DIMENSIONS: mm

TOLERANCES UNLESS OTHERWISE SPECIFIED:

0 PLC	±
1 PLC	±0.03
2 PLC	±0.03
3 PLC	±0.03
4 PLC	±
ANGLES	±0°1'

MATERIAL: SEE TABLE

FINISH: SEE TABLE

THIS DRAWING IS A CONTROLLED DOCUMENT. DWG: B. CARBO 04APR2007, CHK: D. BRATINA 04APR2007, APVD: D. BRATINA 04APR2007

NAME: RECEPTACLE ASSY, W/ VACUUM COVER, 1.0mm FH (IEEE 1386) CONNECTOR

PRODUCT SPEC: 502-1079

APPLICATION SPEC: 114-25045

WEIGHT: -

SIZE: A1

CAGE CODE: 00779

DRAWING NO: 2007042

RESTRICTED TO: -

CUSTOMER DRAWING

SCALE: 10:1

SHEET: 1 OF 1

REV: B